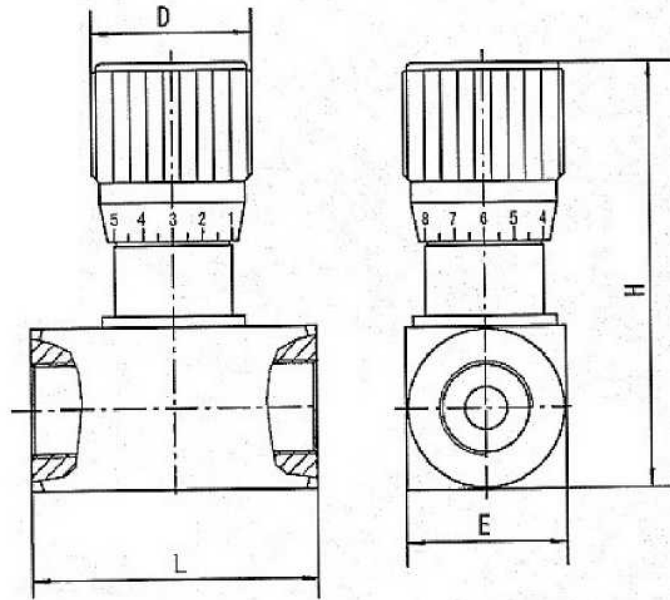
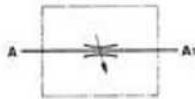


GreenLine Hydraulic valves

"GreenLine" Hydraulic valves

Bidirectional flow restrictor valve

Page: 1/1



Part n°	R1	Max. flow (l/min)	Max. Press. (bar)	D	E	H	L
RCB04	1/4" BSP	40	315	30	28	82	54
RCB06	3/8" BSP	60	315	30	28	82	54
RCB08	1/2" BSP	85	315	38	38	108	68
RCB12	3/4" BSP	185	315	38	38	108	78
RCB16	1" BSP	200	315	47	48	138	92