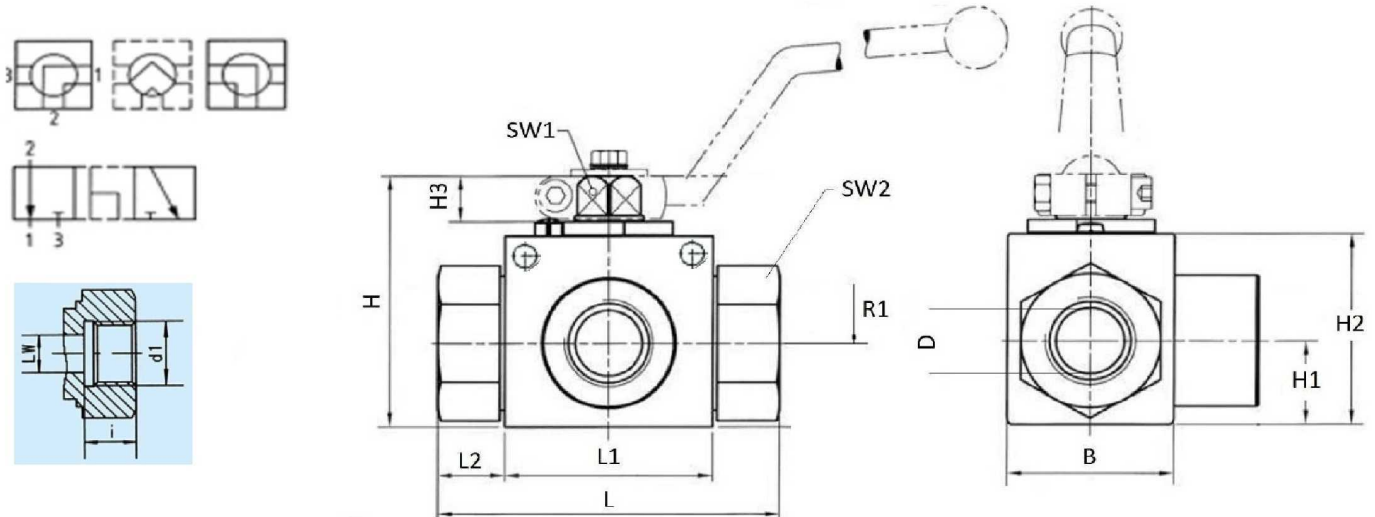


TrAle Ball Valves

3 ways

3 Ways ball valve female-female-female (L type)

Page: 1/1



	L	L1	B	H	h1	h2	h3	SW
G1/4	69	37	28	44,5	13	32	8	9
G3/8	72	42	32	52,5	17	40	8	9
G1/2	83	48	35	52,5	17	40	8	9
G3/4	95	60	48	75	24	57	12	14
G1	113	65	57	82	28,5	64	12	14

With fixing holes

Standard o-ring: NBR

Ball seat: POM (polyoxymethylene)

Working temp: -20°C / +100°C

Lever included (angular)

Part n°	DN	R1	Working Pressure (bar)	WAYS
GB3VH 1/4	6	1/4" BSP	500	H-H-H
GB3VH 3/8	10	3/8" BSP	500	H-H-H
GB3VH 1/2	13	1/2" BSP	500	H-H-H
GB3VH 3/4	20	3/4" BSP	500	H-H-H
GB3VH 1	25	1" BSP	500	H-H-H