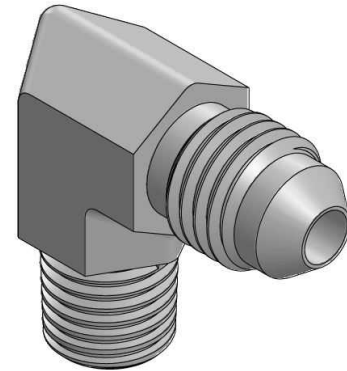
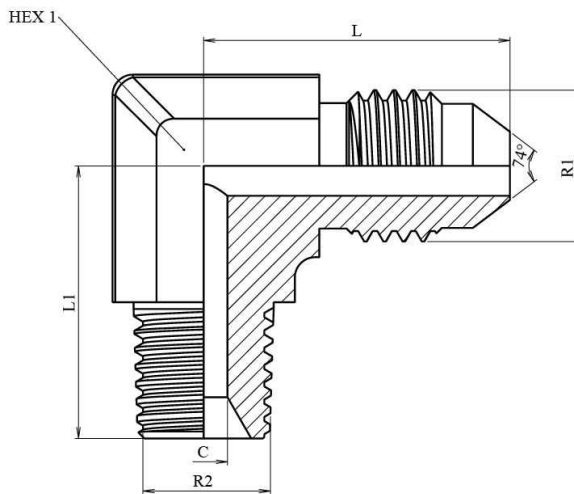


90° Male elbow male JIC 37°-male NPT



Part nº	ØD1	ØD2	R1	R2	L	L1	HEX 1	ØC
S5250610	6	1/4	7/16" 20h UNF	1/8" NPT	22,5	20	12	3,5
S5250613	6	1/4	7/16" 20h UNF	1/4" NPT	26,5	27	14	6
S5250810	8	5/16	1/2" 20h UNF	1/8" NPT	26,5	20	14	6
S5250813	8	5/16	1/2" 20h UNF	1/4" NPT	26,5	27	14	6
S5251013	10	3/8	9/16" 18h UNF	1/4" NPT	27	27	14	6
S5251017	10	3/8	9/16" 18h UNF	3/8" NPT	27	31	19	6
S5251021	10	3/8	9/16" 18h UNF	1/2" NPT	31	37	22	6
S5251213	12	1/2	3/4" 16h UNF	1/4" NPT	32	27	19	9,5
S5251217	12	1/2	3/4" 16h UNF	3/8" NPT	32	31	19	9,5
S5251221	12	1/2	3/4" 16h UNF	1/2" NPT	32	37	22	9,5
S5251617	14-15-16	5/8	7/8" 14h UNF	3/8" NPT	39	31	24	12,3
S5251621	14-15-16	5/8	7/8" 14h UNF	1/2" NPT	39	37	24	12,3
S5251626	14-15-16	5/8	7/8" 14h UNF	3/4" NPT	39	40	27	12,3
S5252021	18-20	3/4	1"1/16 12h UNF	1/2" NPT	42	37	27	15,5
S5252026	18-20	3/4	1"1/16 12h UNF	3/4" NPT	42	40	27	15,5
S5252526	25	1	1"5/16 12h UNF	3/4" NPT	50	45	36	23,2
S5252533	25	1	1"5/16 12h UNF	1" NPT	50	50	36	23,2
S5253233	30-32	1 1/4	1"5/8 12h UNF	1" NPT	52,5	55	46	29
S5253242	30-32	1 1/4	1"5/8 12h UNF	1" 1/4 NPT	52,5	56	46	29
S5253848	38	1 1/2	1"7/8 12h UNF	1"1/2 NPT	59	67	50	33,5

The material can be provided with imperial hexagons