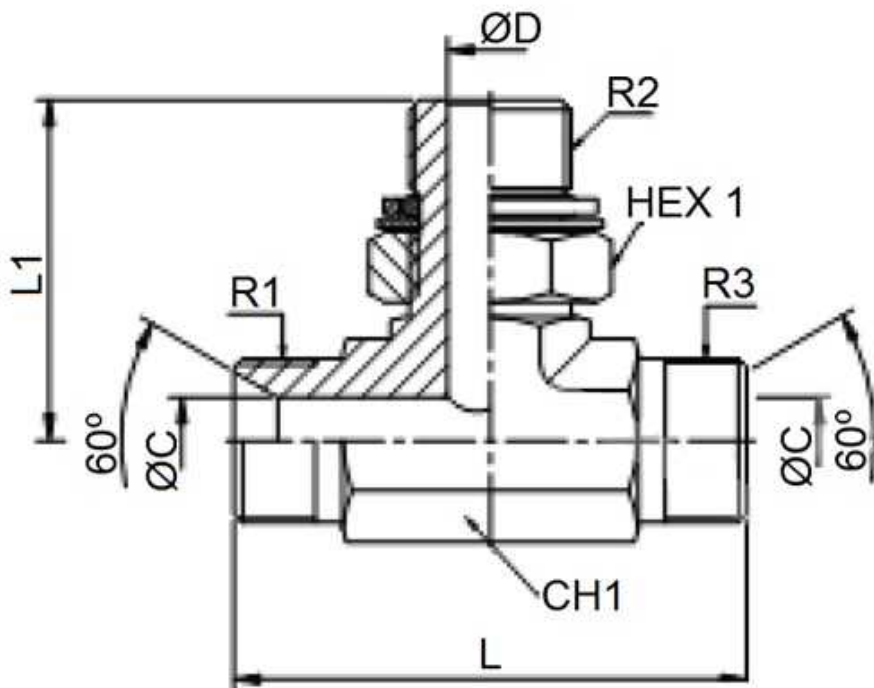


Tee BSP male-male adjustable-male forge



Part nº	R1	R2	R3	L	L1	HEX 1	CH1	ØC	ØD
S12280404	1/4" BSP	1/4" BSP	1/4" BSP	54	31,5	19	14	4,7	7,5
S12280604	3/8" BSP	1/4" BSP	3/8" BSP	58	35	19	19	7,9	7,5
S12280606	3/8" BSP	3/8" BSP	3/8" BSP	58	37	22	19	7,9	9,9
S12280806	1/2" BSP	3/8" BSP	1/2" BSP	68	40	22	22	11,1	9,9
S12280808	1/2" BSP	1/2" BSP	1/2" BSP	68	43	27	22	11,1	12,3
S12281208	3/4" BSP	3/4" BSP	1/2" BSP	82	46	27	27	16,7	12,3
S12281212	3/4" BSP	3/4" BSP	3/4" BSP	82	50	32	27	16,7	15,5
S12281612	1" BSP	3/4" BSP	1" BSP	92	52	32	33	22,2	15,5
S12281616	1" BSP	1" BSP	1" BSP	92	53	41	33	22,2	21,5
S12282016	1"1/4 BSP	1" BSP	1"1/4 BSP	104	57	50	41	28,6	22,2
S12282020	1"1/4 BSP	1"1/4 BSP	1"1/4 BSP	102	58	50	41	28,6	27,5