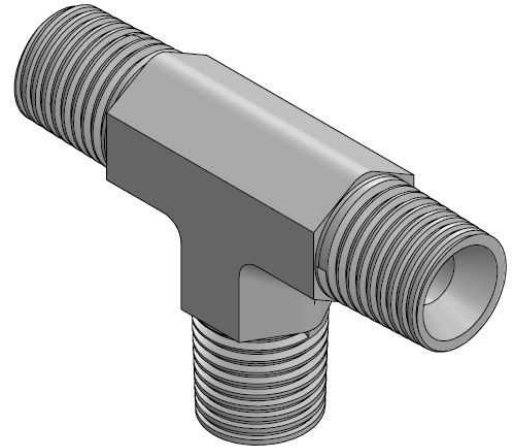
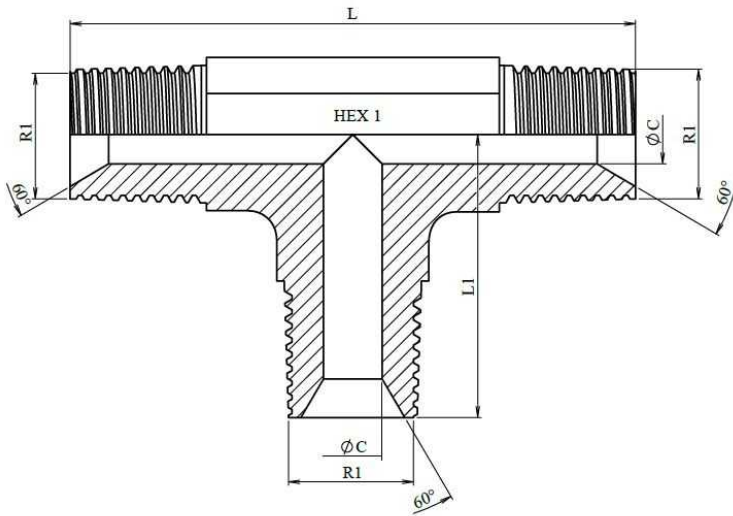


NPT Adaptors
 Forging tees
NPT male tee

Carbon steel



Part n°	R1	L	L1	HEX 1	ØC
N122004	1/4" NPT	56	28	14	6
N122006	3/8" NPT	62	31	19	8
N122008	1/2" NPT	74	37	22	11
N122012	3/4" NPT	80	40	27	16
N122016	1" NPT	100	50	36	22
N122020	1" 1/4 NPT	120	60	46	28,5
N122024	3/4" NPT	134	67	50	33

The material can be provided with imperial hexagons