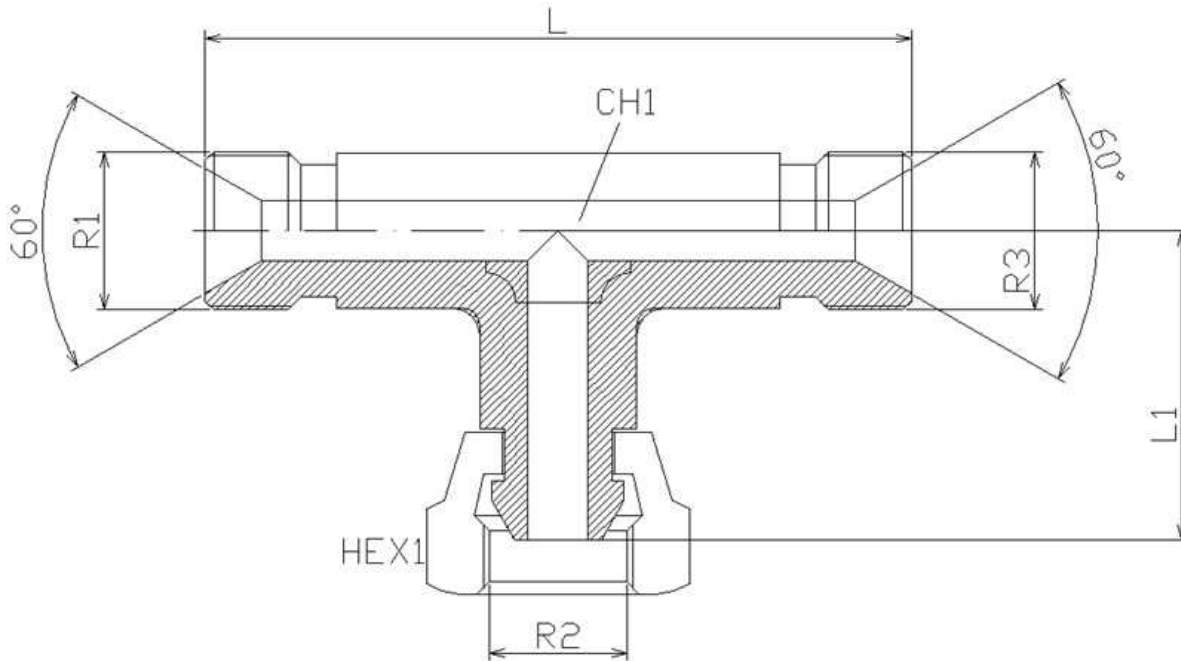


**Tee BSP Male-swivel female-male (60°) forge**



Part nº	R1	R2	R3	L	L1	HEX 1	CH1
<b>S122404</b>	1/4" BSP	1/4" BSP	1/4" BSP	54	24	19	14
<b>S122406</b>	3/8" BSP	3/8" BSP	3/8" BSP	58	28	22	19
<b>S122408</b>	1/2" BSP	1/2" BSP	1/2" BSP	70	33,5	27	22
<b>S122412</b>	3/4" BSP	3/4" BSP	3/4" BSP	86	38	32	27
<b>S122416</b>	1" BSP	1" BSP	1" BSP	94	45,5	41	33
<b>S122420</b>	1"1/4 BSP	1"1/4 BSP	1"1/4 BSP	100	50	50	41