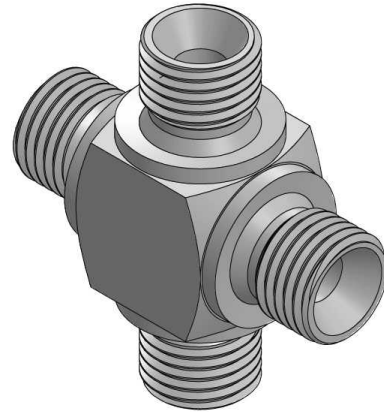
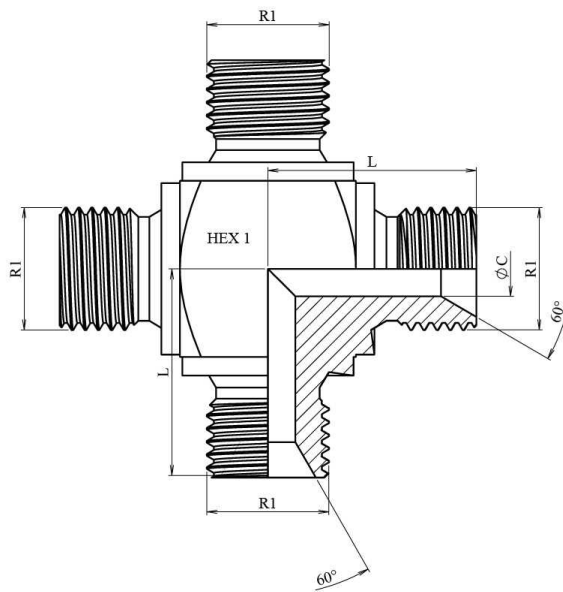


**Cross BSP male (square)**

Carbon steel



Part n°	R1	L	HEX 1	ØC
<b>A22230400</b>	1/4" BSP	22.5	19	6
<b>A22230600</b>	3/8" BSP	25	22	8
<b>A22230800</b>	1/2" BSP	30	27	11
<b>A22231200</b>	3/4" BSP	34.5	32	16
<b>A22231600</b>	1" BSP	42	41	22