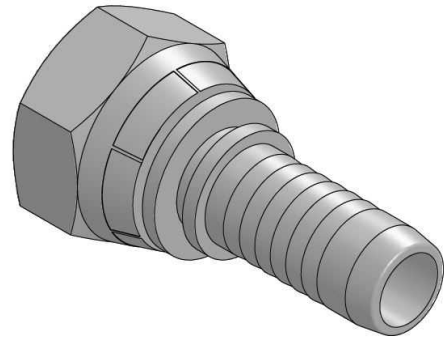
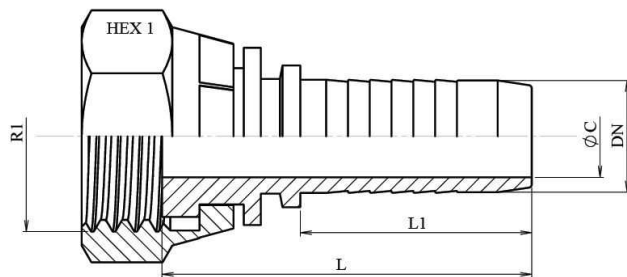


BSP Swivel female flat seat

Mild Steel 1.0737 (or equivalent)



Part n°	DN	R1	L	L1	HEX 1	ØC
242000404	1/4"	1/4" BSP	40,5	28	19	4
242000605	5/16"	3/8" BSP	42,8	28	22	5,5
242000606	3/8"	3/8" BSP	44,5	29,5	22	7
242000806	3/8"	1/2" BSP	45,5	29,5	27	7
242000808	1/2"	1/2" BSP	47	30,5	27	9,5
242001208	1/2"	3/4" BSP	50,5	30,5	32	9,5
242001212	3/4"	3/4" BSP	60,5	39	32	15
242001616	1"	1" BSP	69,5	47	41	19
242002020	1" 1/4	1" 1/4 BSP	80	54,5	50	26
242002424	1" 1/2	1" 1/2 BSP	83,5	58	55	32