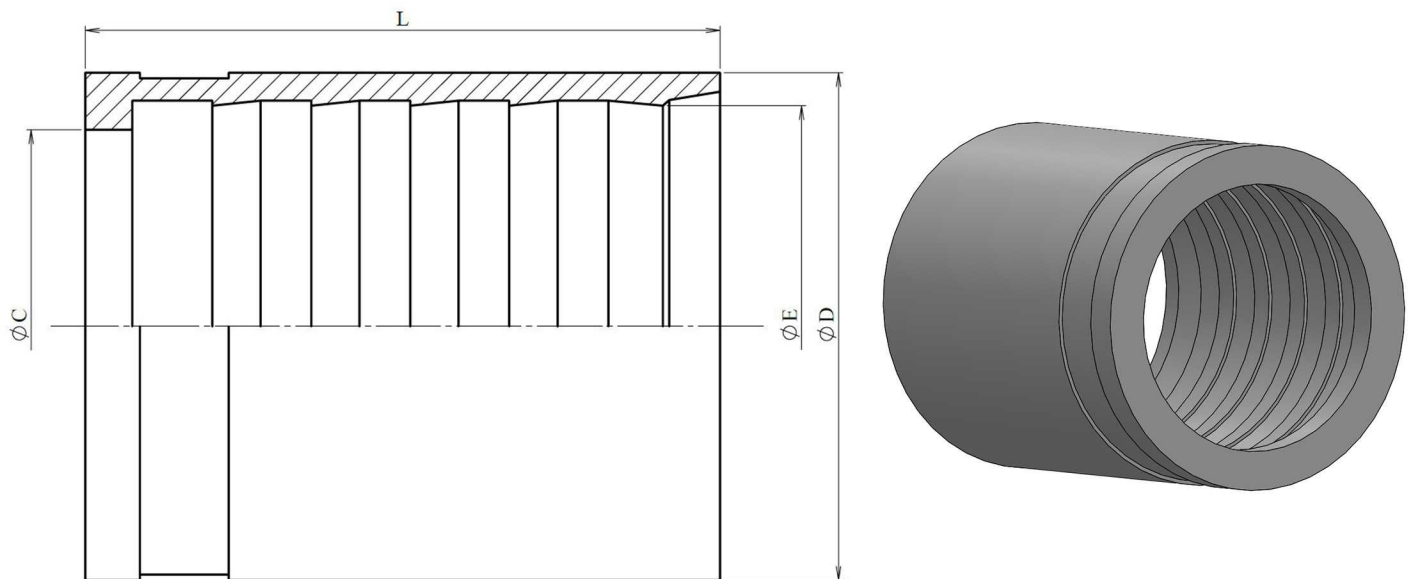


Ferrules SAE 100 R6, R7, R8 and steel braid

Mild Steel 1.0737 (EN 10.277-3)



Part n°	DN	L	ØC	ØD	ØE
DI2300200	1/8"	24	7.1	13	9
DI2300300	3/16"	26.5	8.5	14	11.3
DI2300400	1/4"	30.5	11.3	18	14
DI2300500	5/16"	31	12.8	19	15
DI2300600	3/8"	33	14,6	22	17.8
DI2300800	1/2"	34	18.6	26	20,8
DI2301000	5/8"	36	22	29	24.5
DI2301200	3/4"	41	25	31.5	27.5
DI2301600	1"	50	31	40	34.8