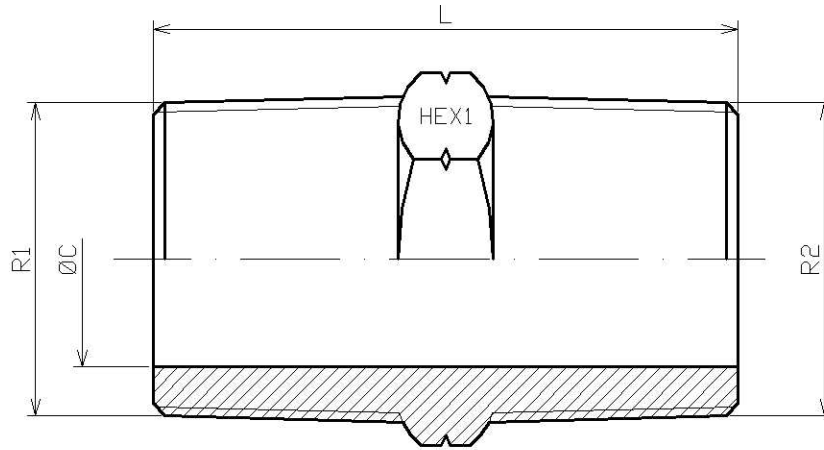


Adaptor male NPT - male NPT

Part n°	R1	R2	L	HEX 1	ØC
A10150202	1/8" NPT	1/8" NPT			
A10150404	1/4" NPT	1/4" NPT	35	14	8
A10150606	3/8" NPT	3/8" NPT	36	19	10
A10150808	1/2" NPT	1/2" NPT	44	22	14
A10151212	3/4" NPT	3/4" NPT	49	27	18
A10151616	1" NPT	1" NPT	59	36	22
A10152020	1" 1/4 NPT	1" 1/4 NPT	62	46	30
A10152424	1 1/2" NPT	1 1/2" NPT	64	50	36
A10153232	2" NPT	2" NPT	75	65	50