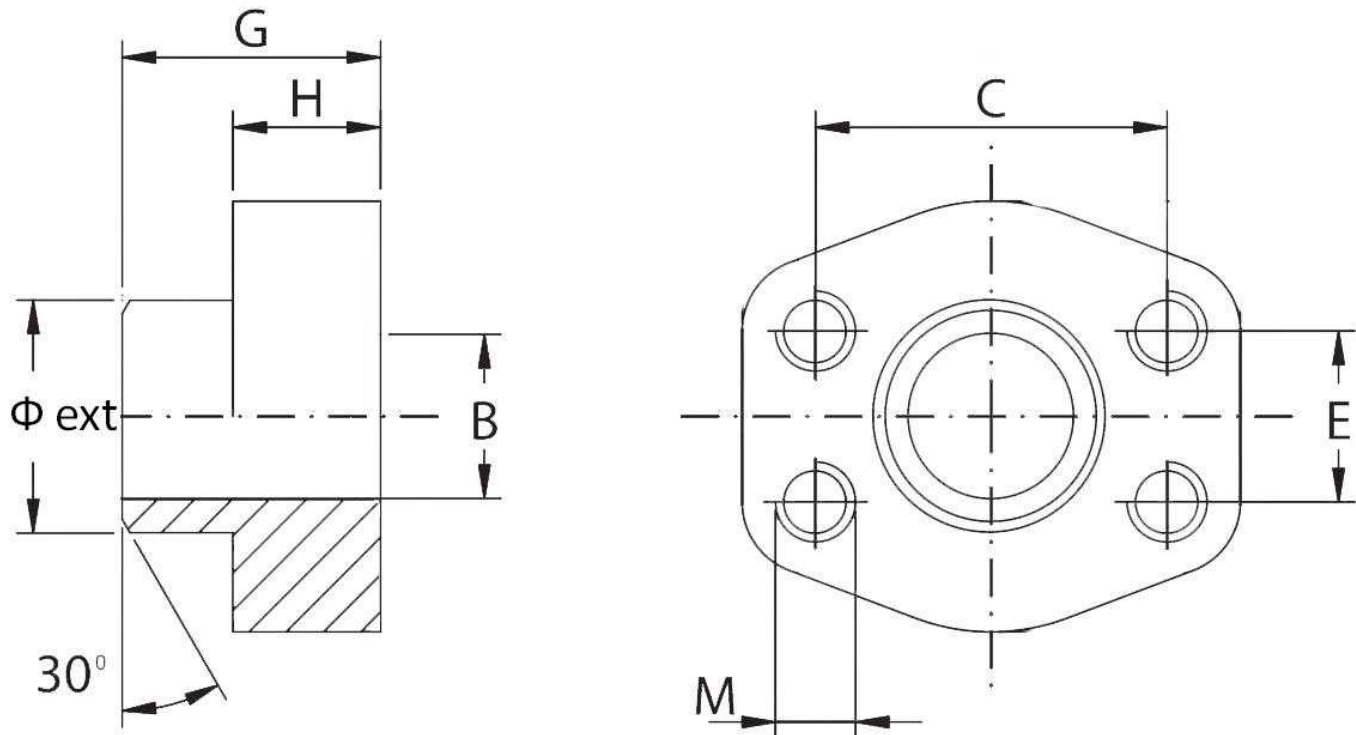


Male welding counter-flange for metric tube



Part nº	Serie	Ø outer	Size	Screw	OR 1	PU Joint	ØB	C	E	G	H	M
BCMSM31225	3000 PSI	25	3/4"	TB10X35	24.99X3.53	JBR12	19	47,63	22,23	36	18	M10
BCMSM31630	3000 PSI	30	1"	TB10X35	32.92X3.53	JBR16	22	52,37	26,19	38	18	M10
BCMSM32038	3000 PSI	38	1"1/4	TB10X40	37.70X3.53	JBR20	30	58,72	30,18	41	21	M10
BCMSM32442	3000 PSI	42	1"1/2	TB12X45	47.22X3.53	JBR24	36	69,85	35,71	44,5	24,5	M12
BCMSM32449	3000 PSI	49	1"1/2	TB12X45	47.22X3.53	JBR24	38	69,85	35,71	44,5	24,5	M12
BCMSM33261	3000 PSI	61	2"	TB12X45	56.74X3.53	JBR32	49	77,77	42,88	45	25	M12
BCMSM33249	3000 PSI	49	2"	TB12X45	56.74X3.53	JBR32	42	77,77	42,88	45	25	M12
BCMSM34077	3000 PSI	77	2"1/2	TB12X45			62	88,90	50,80	50	25	M12
BCMSM34877	3000 PSI	77	3"	TB16X50			62	106,38	61,93	51	26	M16
BCMSM34877T	3000 PSI	77	3"	TB16X50			70	106,38	61,93	51	26	M16
BCMSM35677	3000 PSI	77	3"1/2	TB16X50			70	120,65	69,85	48	26	M16
BCMSM35690	3000 PSI	90	3"1/2	TB16X50			82	120,65	69,85	48	26	M16
BCMSM36490	3000 PSI	90	4"	TB16X50			82	130,18	77,77	48	26	M16
BCMSM60820	6000 PSI	20	1/2"	TB8X30	18.64X3.53	JBR08	14	40,49	18,24	34	16	M8
BCMSM61220	6000 PSI	20	3/4"	TB10X40	24.99X3.53	JBR12	14	50,80	23,80	35	21	M10
BCMSM61225	6000 PSI	25	3/4"	TB10X40	24.99X3.53	JBR12	17	50,80	23,80	35	21	M10
BCMSM61625	6000 PSI	25	1"	TB12X45	32.92X3.53	JBR16	19	57,15	27,76	42	25	M12
BCMSM61630	6000 PSI	30	1"	TB12X45	32.92X3.53	JBR16	22	57,15	27,76	42	25	M12
BCMSM62038	6000 PSI	38	1"1/4	TB14X45	37.70X3.53	JBR20	28	66,68	31,75	44	25	M14
BCMSM62438	6000 PSI	38	1"1/2	TB16X50	47.22X3.53	JBR24	28	79,38	36,50	56	28	M16
BCMSM63261	6000 PSI	61	2"	TB20X70	56.74X3.53	JBR32	40	96,82	44,45	65	37	M20

*** Review attached PDF***

The screws and joints are sold separately.