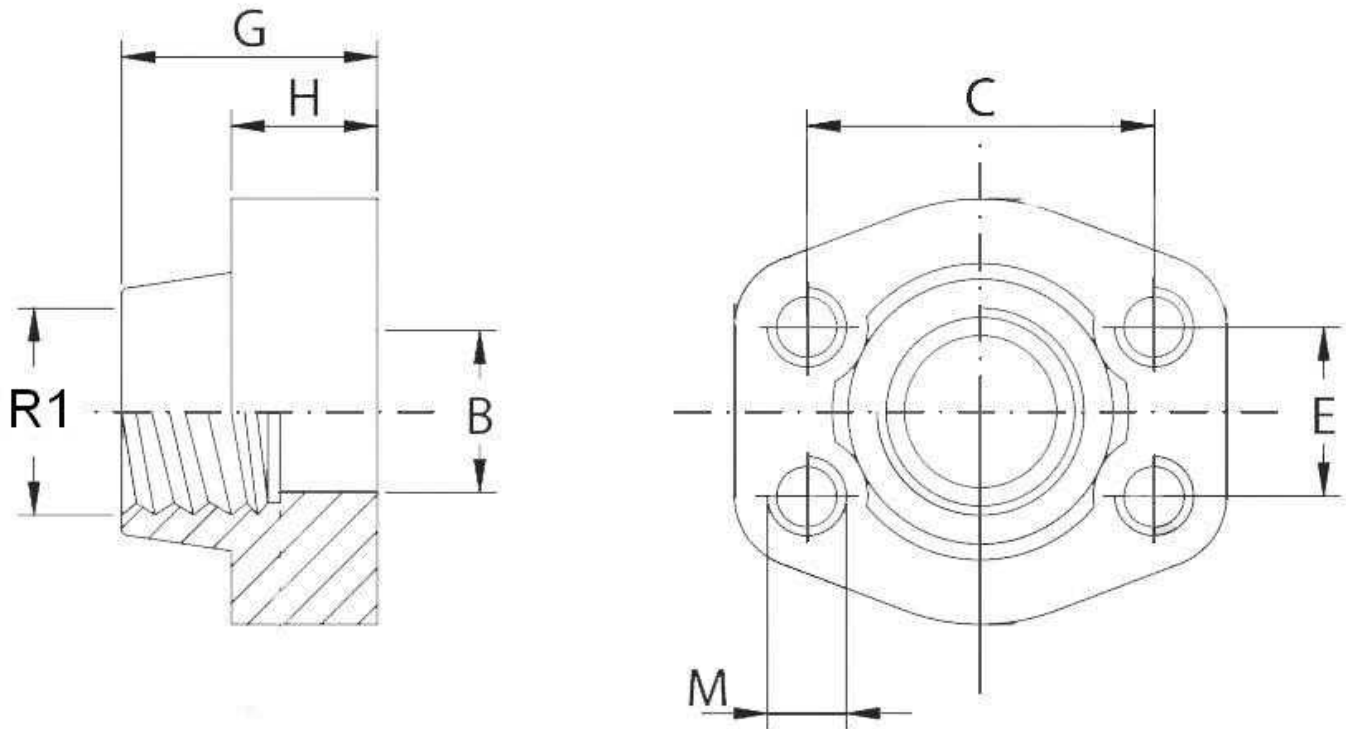


**BSP Female threaded counter-flange**

Part nº	Serie	R1	Size	Screw	OR 1	PU Joint	ØB	C	E	G	H	M
<b>BCRG30808</b>	3000 PSI	1/2" BSP	1/2"	TB8X30	18.64X3.53	JBR08	13	38,10	17,48	36	16	M8
<b>BCRG30806</b>	3000 PSI	3/8" BSP	1/2"	TB8X30	18.64X3.53	JBR08	13	38,10	17,48	36	16	M8
<b>BCRG31212</b>	3000 PSI	3/4" BSP	3/4"	TB10X35	24.99X3.53	JBR12	19	47,63	22,23	36	18	M10
<b>BCRG31208</b>	3000 PSI	1/2" BSP	3/4"	TB10X35	24.99X3.53	JBR12	13	47,63	22,23	36	18	M10
<b>BCRG31616</b>	3000 PSI	1" BSP	1"	TB10X35	32.92X3.53	JBR16	25	52,37	26,19	38	18	M10
<b>BCRG31612</b>	3000 PSI	3/4" BSP	1"	TB10X35	32.92X3.53	JBR16	19	52,37	26,19	35	21	M10
<b>BCRG32020</b>	3000 PSI	1"1/4 BSP	1"1/4	TB10X40	37.70X3.53	JBR20	32	58,72	30,18	40	21	M10
<b>BCRG32016</b>	3000 PSI	1" BSP	1"1/4	TB10X40	37.70X3.53	JBR20	25	58,72	30,18	42	25	M10
<b>BCRG32424</b>	3000 PSI	1"1/2 BSP	1"1/2	TB12X45	47.22X3.53	JBR24	38	69,85	35,71	45	25	M12
<b>BCRG32420</b>	3000 PSI	1"1/4 BSP	1"1/2	TB12X45	47.22X3.53	JBR24	32	69,85	35,71	45	27	M12
<b>BCRG33232</b>	3000 PSI	2" BSP	2"	TB12X45	56.74X3.53	JBR32	51	77,77	42,88	45	25	M12
<b>BCRG33224</b>	3000 PSI	1"1/2 BSP	2"	TB12X45	56.74X3.53	JBR32	38	77,77	42,88	45	25	M12
<b>BCRG34040</b>	3000 PSI	2"1/2 BSP	2"1/2	TB12X45			63	88,90	50,80	50	25	M12
<b>BCRG34032</b>	3000 PSI	2" BSP	2"1/2	TB12X45			51	88,90	50,80	50	25	M12
<b>BCRG34848</b>	3000 PSI	3" BSP	3"	TB16X50			73	106,38	61,93	50	27	M16
<b>BCRG34840</b>	3000 PSI	2"1/2 BSP	3"	TB16X50			63	106,38	61,93	50	27	M16
<b>BCRG35656</b>	3000 PSI	3"1/2 BSP	3"1/2	TB16X50			89	120,65	69,85	48	27	M16
<b>BCRG35648</b>	3000 PSI	3" BSP	3"1/2	TB16X50			73	120,65	69,85	48	27	M16
<b>BCRG36464</b>	3000 PSI	4" BSP	4"	TB16X50			99	130,18	77,77	48	27	M16
<b>BCRG36456</b>	3000 PSI	3"1/2 BSP	4"	TB16X50			89	130,18	77,77	48	27	M16
<b>BCRG60808</b>	6000 PSI	1/2" BSP	1/2"	TB8X30	18.64X3.53	JBR08	13	40,49	18,24	36	16	M8
<b>BCRG60806</b>	6000 PSI	3/8" BSP	1/2"	TB8X30	18.64X3.53	JBR08	13	40,49	18,24	36	16	M8
<b>BCRG61212</b>	6000 PSI	3/4" BSP	3/4"	TB10X40	24.99X3.53	JBR12	19	50,80	23,80	35	21	M10
<b>BCRG61208</b>	6000 PSI	1/2" BSP	3/4"	TB10X40	24.99X3.53	JBR12	13	50,80	23,80	35	21	M10
<b>BCRG61616</b>	6000 PSI	1" BSP	1"	TB12X45	32.92X3.53	JBR16	25	57,15	27,76	42	25	M12
<b>BCRG61612</b>	6000 PSI	3/4" BSP	1"	TB12X45	32.92X3.53	JBR16	19	57,15	27,76	42	25	M12

**BSP Female threaded counter-flange**

Part nº	Serie	R1	Size	Screw	OR 1	PU Joint	ØB	C	E	G	H	M
<b>BCRG62020</b>	6000 PSI	1"1/4 BSP	1"1/4	TB14X45	37.70X3.53	JBR20	32	66,68	31,75	45	27	M14
<b>BCRG62016</b>	6000 PSI	1" BSP	1"1/4	TB14X45	37.70X3.53	JBR20	25	66,68	31,75	45	27	M14
<b>BCRG62424</b>	6000 PSI	1"1/2 BSP	1"1/2	TB16X50	47.22X3.53	JBR24	38	79,38	36,50	50	30	M16
<b>BCRG62420</b>	6000 PSI	1"1/4 BSP	1"1/2	TB16X50	47.22X3.53	JBR24	32	79,38	36,50	50	30	M16
<b>BCRG63232</b>	6000 PSI	2" BSP	2"	TB20X70	56.74X3.53	JBR32	51	96,82	44,45	65	37	M20
<b>BCRG63224</b>	6000 PSI	1"1/2 BSP	2"	TB20X70	56.74X3.53	JBR32	38	96,82	44,45	65	37	M20

**\*\*\* Review attached PDF\*\*\***

The screws and joints are sold separately.