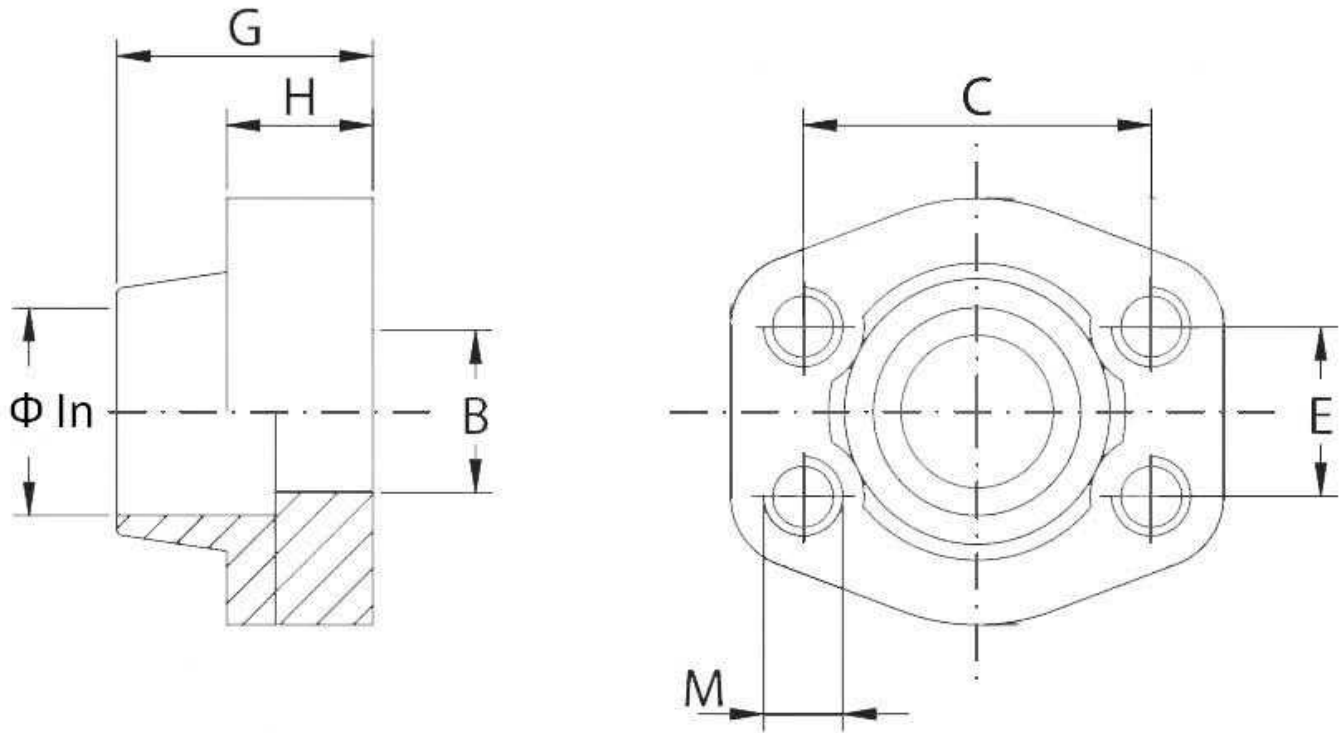


**Welding female counter-flange for gas tube**

Part nº	Serie	Ø in	Size	Screw	OR 1	PU Joint	ØB	C	E	G	H	M
<b>BCSG308216</b>	3000 PSI	21.6	1/2"	TB8X30	18.64X3.53	JBR08	13	38,1	17,48	36	16	M8
<b>BCSG308175</b>	3000 PSI	17.5	1/2"	TB8X30	18.64X3.53	JBR08	13	38,1	17,48	36	16	M8
<b>BCSG312272</b>	3000 PSI	27.2	3/4"	TB10X35	24.99X3.53	JBR12	19	47,63	22,23	36	18	M10
<b>BCSG316340</b>	3000 PSI	34	1"	TB10X35	32.92X3.53	JBR16	25	52,37	26,19	38	18	M10
<b>BCSG320428</b>	3000 PSI	42.8	1"1/4	TB10X40	37.70X3.53	JBR20	32	58,72	30,18	41	21	M10
<b>BCSG324486</b>	3000 PSI	48.6	1"1/2	TB12X45	47.22X3.53	JBR24	38	69,85	35,71	45	25	M12
<b>BCSG332610</b>	3000 PSI	61	2"	TB12X45	56.74X3.53	JBR32	51	77,77	42,88	45	25	M12
<b>BCSG340766</b>	3000 PSI	76.6	2"1/2	TB12X45			63	88,9	50,8	50	25	M12
<b>BCSG348905</b>	3000 PSI	90.5	3"	TB16X50			73	106,38	61,93	50	27	M16
<b>BCSG3561030</b>	3000 PSI	103	3"1/2	TB16X50			89	120,65	69,85	48	27	M16
<b>BCSG3641155</b>	3000 PSI	115.5	4"	TB16X50			99	130,18	77,77	48	27	M16
<b>BCSG608216</b>	6000 PSI	21.6	1/2"	TB8X30	18.64X3.53	JBR08	13	40,49	18,24	36	16	M8
<b>BCSG612272</b>	6000 PSI	27.2	3/4"	TB10X40	24.99X3.53	JBR12	19	50,8	23,8	35	21	M10
<b>BCSG616340</b>	6000 PSI	34	1"	TB12X45	32.92X3.53	JBR16	25	57,15	27,76	42	25	M12
<b>BCSG620428</b>	6000 PSI	42.8	1"1/4	TB14X45	37.70X3.53	JBR20	32	66,68	31,75	45	27	M14
<b>BCSG624486</b>	6000 PSI	48.6	1"1/2	TB16X50	47.22X3.53	JBR24	38	79,38	36,5	50	30	M16
<b>BCSG632610</b>	6000 PSI	61	2"	TB20X70	56.74X3.53	JBR32	51	96,82	44,45	65	37	M20

\*\*\* Review attached PDF\*\*\*

The screws and joints are sold separately.