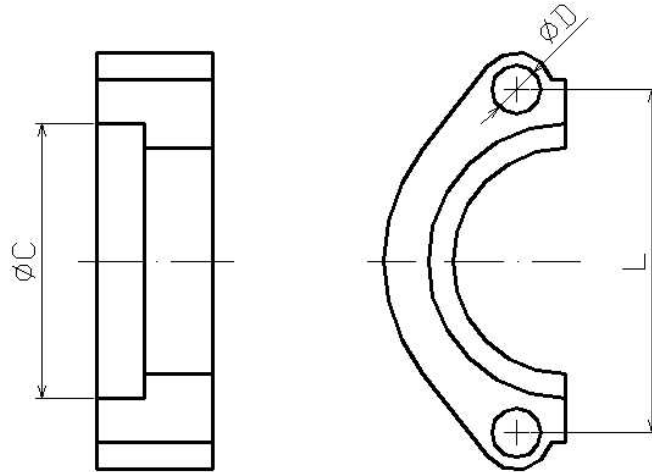


3000/6000 PSI SAE Split flanges

Part nº	Serie	Size	Screw	L	OR 1	PU Joint	ØC	ØD
BBP308	3000 PSI	1/2"	TB8X30	38,1	18.64X3.53	JBR08	30,96	8,75
BBP312	3000 PSI	3/4"	TB10X35	47,63	24.99X3.53	JBR12	38,89	10,75
BBP316	3000 PSI	1"	TB10X35	52,37	32.92X3.53	JBR16	45,24	10,75
BBP320	3000 PSI	1"1/4	TB10X40	58,72	37.70X3.53	JBR20	51,59	12
BBP324	3000 PSI	1"1/2	TB12X45	69,85	47.22X3.53	JBR24	61,09	13,5
BBP332	3000 PSI	2"	TB12X45	77,77	56.74X3.53	JBR32	72,24	13,5
BBP340	3000 PSI	2"1/2	TB12X45	88,9			84,94	13,5
BBP348	3000 PSI	3"	TB16X50	106,38			102,39	16,75
BBP356	3000 PSI	3"1/2	TB16X50	120,65			115,1	17
BBP364	3000 PSI	4"	TB16X50	130,18			127,79	17
BBP608	6000 PSI	1/2"	TB8X30	40,49	18.64X3.53	JBR08	32,54	8,75
BBP612	6000 PSI	3/4"	TB10X40	50,8	24.99X3.53	JBR12	42,06	11
BBP616	6000 PSI	1"	TB12X45	57,15	32.92X3.53	JBR16	48,41	13
BBP620	6000 PSI	1"1/4	TB14X45	66,68	37.70X3.53	JBR20	54,76	15
BBP624	6000 PSI	1"1/2	TB16X50	79,38	47.22X3.53	JBR24	64,29	17
BBP632	6000 PSI	2"	TB20X70	96,82	56.74X3.53	JBR32	80,16	21

*** Review attached PDF***

The screws and joints are sold separately.