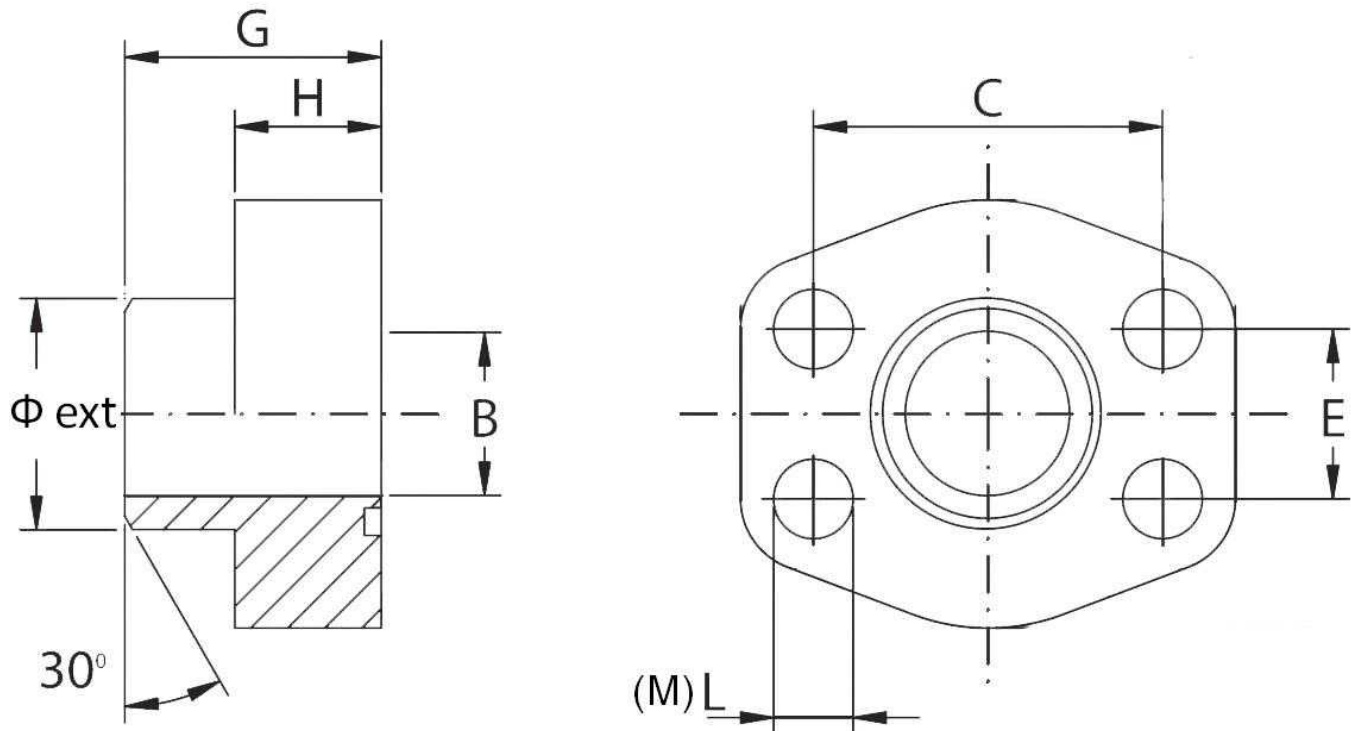


## Male welding flange for gas tube



Part nº	Serie	Ø outer	Size	Screw	OR 1	PU Joint	ØB	ØL	C	E	G	H	M
<b>BMSG308215</b>	3000 PSI	21.5	1/2"	TB8X30	.64X3.5	JBR08	13	9	38,10	17,48	36	16	8x30
<b>BMSG308175</b>	3000 PSI	17.5	1/2"	TB8X30	.64X3.5	JBR08	13	9	38,10	17,48	36	16	8x30
<b>BMSG312280</b>	3000 PSI	28	3/4"	TB10X35	.99X3.5	JBR12	19	11	47,63	22,23	36	18	0x35
<b>BMSG316340</b>	3000 PSI	34	1"	TB10X35	.92X3.5	JBR16	25	11	52,37	26,19	38	18	0x35
<b>BMSG320428</b>	3000 PSI	42.8	1"1/4	TB10X40	.70X3.5	JBR20	32	1,5	58,72	30,18	41	21	0x40
<b>BMSG324486</b>	3000 PSI	48.6	1"1/2	TB12X45	.22X3.5	JBR24	38	3,5	69,85	35,71	44	25	2x45
<b>BMSG332610</b>	3000 PSI	61	2"	TB12X45	.74X3.5	JBR32	51	3,5	77,77	42,88	45	25	2x45
<b>BMSG340770</b>	3000 PSI	77	2"1/2	TB12X45			63	3,5	88,90	50,8	50	25	2x45
<b>BMSG348920</b>	3000 PSI	92	3"	TB16X50			73	7,5	06,38	61,93	50	27	6x50
<b>BMSG356103</b>	3000 PSI	103	3"1/2	TB16X50			89	7,5	20,65	69,85	48	27	6x50
<b>BMSG608215</b>	6000 PSI	21.5	1/2"	TB8X30	.64X3.5	JBR08	13	9	40,49	18,24	36	16	8x30
<b>BMSG608175</b>	6000 PSI	17.5	1/2"	TB8X30	.64X3.5	JBR08	13	9	40,49	18,24	36	16	8x30
<b>BMSG612280</b>	6000 PSI	28	3/4"	TB10X40	.99X3.5	JBR12	19	11	50,80	23,8	35	21	0x40
<b>BMSG616340</b>	6000 PSI	34	1"	TB12X45	.92X3.5	JBR16	25	13	57,15	27,76	41	21	2x45
<b>BMSG620428</b>	6000 PSI	42.8	1"1/4	TB14X45	.70X3.5	JBR20	32	5 *	66,68	31,75	44	25	4x45
<b>BMSG624486</b>	6000 PSI	48.6	1"1/2	TB16X50	.22X3.5	JBR24	38	17	79,38	36,5	55	30	6x50
<b>BMSG632610</b>	6000 PSI	61	2"	TB20X70	.74X3.5	JBR32	51	21	96,82	44,45	65	37	0x70

\*\*\* Review attached PDF\*\*\*

The screws and joints are sold separately.