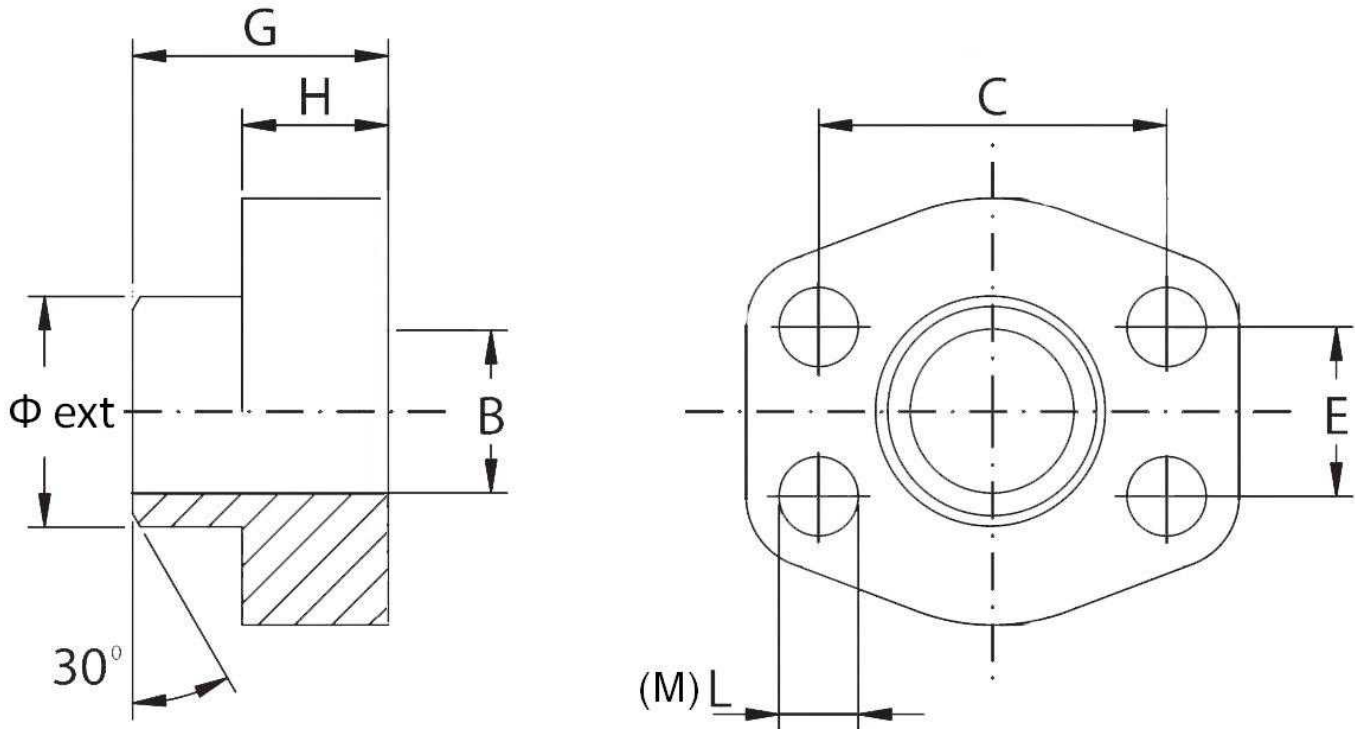


## Male welding flange for metric tube



Part nº	Serie	Ø outer	Size	Screw	O'Ring	OR 1	PU Joint	ØB	ØL	C	E	G	H	M
<b>BMSM31225</b>	3000 PSI	25	3/4"	TB10X35		24.99X3.53	JBR12	19	11	47,63	22,23	36	18	M10x35
<b>BMSM31630</b>	3000 PSI	30	1"	TB10X35		32.92X3.53	JBR16	22	11	52,37	26,19	38	18	M10x35
<b>BMSM32038</b>	3000 PSI	38	1"1/4	TB10X40		37.70X3.53	JBR20	30	11,5	58,72	30,18	41	21	M10x40
<b>BMSM32442</b>	3000 PSI	42	1"1/2	TB12X45		47.22X3.53	JBR24	36	13,5	69,85	35,71	4,5	4,5	M12x45
<b>BMSM33261</b>	3000 PSI	61	2"	TB12X45		56.74X3.53	JBR32	49	13,5	77,77	42,88	45	25	M12x45
<b>BMSM33249</b>	3000 PSI	49	2"	TB12X45		56.74X3.53	JBR32	42	13,5	77,77	42,88	45	25	M12x45
<b>BMSM34877</b>	3000 PSI	77	3"	TB16X50	4337			62	17,5	106,38	61,93	51	26	M16x50
<b>BMSM34877T</b>	3000 PSI	77	3"	TB16X50	4337			70	17,5	106,38	61,93	51	26	M16x50
<b>BMSM35677</b>	3000 PSI	77	3"1/2	TB16X50				70	17,5	120,65	69,85	48	26	M16x50
<b>BMSM35690</b>	3000 PSI	90	3"1/2	TB16X50				82	17,5	120,65	69,85	48	26	M16x50
<b>BMSM36477</b>	3000 PSI	77	4"	TB16X50				70	17,5	130,18	77,77	48	26	M16x50
<b>BMSM36490</b>	3000 PSI	90	4"	TB16X50				82	17,5	130,18	77,77	48	26	M16x50
<b>BMSM60820</b>	6000 PSI	20	1/2"	TB8X30		18.64X3.53	JBR08	14	9	40,49	18,24	34	16	M8x30
<b>BMSM61220</b>	6000 PSI	20	3/4"	TB10X40		24.99X3.53	JBR12	14	11	50,80	23,80	35	21	M10x40
<b>BMSM61225</b>	6000 PSI	25	3/4"	TB10X40		24.99X3.53	JBR12	17	11	50,80	23,80	35	21	M10x40
<b>BMSM61625</b>	6000 PST	25	1"	TB12X45		32.92X3.53	JBR16	19	13	57,15	27,76	42	25	M12x45
<b>BMSM61630</b>	6000 PSI	30	1"	TB12X45		32.92X3.53	JBR16	22	13	57,15	27,76	42	25	M12x45
<b>BMSM62038</b>	6000 PSI	38	1"1/4	TB14X45		37.70X3.53	JBR20	28	15 *	66,68	31,75	44	25	M14x45
<b>BMSM62438</b>	6000 PSI	38	1"1/2	TB16X50		47.22X3.53	JBR24	28	17	79,38	36,50	56	28	M16x50
<b>BMSM63261</b>	6000 PSI	61	2"	TB20X70		56.74X3.53	JBR32	40	21	96,82	44,45	65	37	M20x70

\*\*\* Review attached PDF\*\*\*

The screws and joints are sold separately.