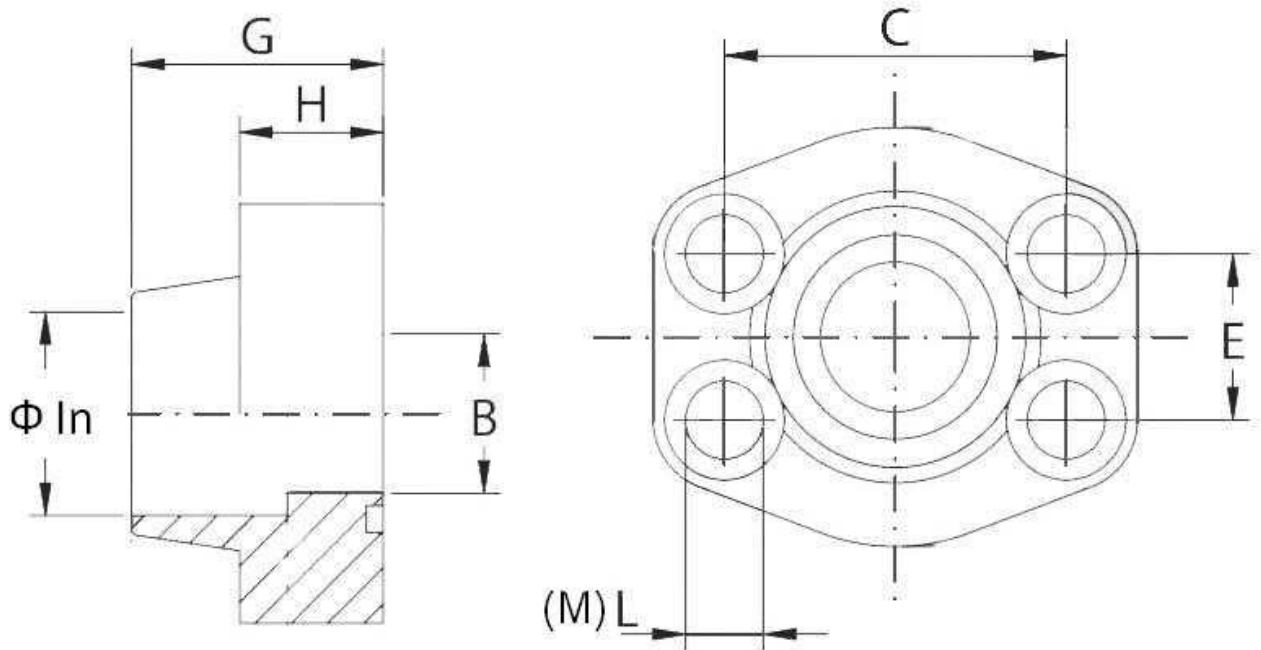


Welding female flange for gas tube



Part nº	Serie	Ø in	Size	Screw	O'Ring	OR 1	PU Joint	ØB	ØL	C	E	G	H	M
BBSG308216	3000 PSI	21.6	1/2"	TB8X30	4075	18.64X3.53	JBR08	13	9	38,10	17,48	36	16	M8x30
BBSG308175	3000 PSI	17.5	1/2"	TB8X30	4075	18.64X3.53	JBR08	13	9	38,10	17,48	36	16	M8x30
BBSG312272	3000 PSI	27.2	3/4"	TB10X35	4100	24.99X3.53	JBR12	19	11	47,63	22,23	36	18	M10x35
BBSG316340	3000 PSI	34	1"	TB10X35	4131	32.92X3.53	JBR16	25	11	52,37	26,19	38	18	M10x35
BBSG320428	3000 PSI	42.8	1"1/4	TB10X40	4150	37.70X3.53	JBR20	32	11,5	58,72	30,18	41	21	M10x40
BBSG324486	3000 PSI	48.6	1"1/2	TB12X45	4187	47.22X3.53	JBR24	38	13,5	69,85	35,71	45	25	M12x45
BBSG332610	3000 PSI	61	2"	TB12X45	4225	56.74X3.53	JBR32	51	13,5	77,77	42,88	45	25	M12x45
BBSG340766	3000 PSI	76.6	2"1/2	TB12X45	4275			63	13,5	88,90	50,80	50	25	M12x45
BBSG348905	3000 PSI	90.5	3"	TB16X50	4337			73	17,5	106,38	61,93	50	27	M16x50
BBSG3561030	3000 PSI	103	3"1/2	TB16X50	4387			89	17,5	120,65	69,85	48	27	M16x50
BBSG641155	3000 PSI	115.5	4"	TB16X50	4437			99	17,5	130,18	77,77	48	27	M16x50
BBSG608175	6000 PSI	17.5	1/2"	TB8X30	4075	18.64X3.53	JBR08	13	9	40,49	18,24	36	16	M8x30
BBSG608216	6000 PSI	21.6	1/2"	TB8X30	4075	18.64X3.53	JBR08	13	9	40,49	18,24	36	16	M8x30
BBSG612272	6000 PSI	27.2	3/4"	TB10X40	4100	24.99X3.53	JBR12	19	11	50,80	23,80	35	21	M10x40
BBSG621612	6000 PSI	34	1"	TB12X45	4131	32.92X3.53	JBR16	25	13	57,15	27,76	42	25	M12x45
BBSG620428	6000 PSI	42.8	1"1/4	TB14X45	4150	37.70X3.53	JBR20	32	15 *	66,68	31,75	45	27	M14x45
BBSG624486	6000 PSI	48.6	1"1/2	TB16X50	4187	47.22X3.53	JBR24	38	17	79,38	36,50	50	30	M16x50
BBSG632610	6000 PSI	61	2"	TB20X70	4225	56.74X3.53	JBR32	51	21	96,82	44,45	65	37	M20x70

*** Review attached PDF***

The screws and joints are sold separately.