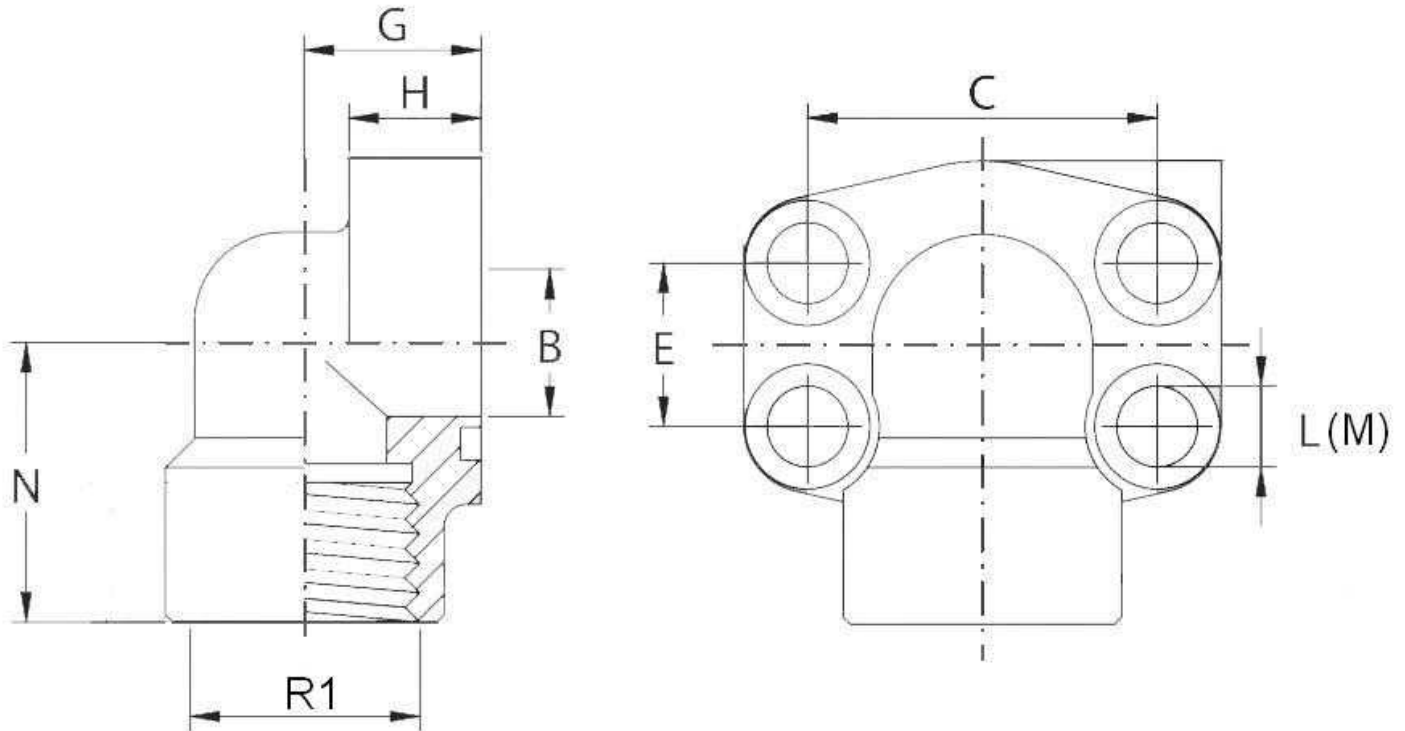


90° BSP female threaded flange



Part nº	Serie	R1	Size	Screw	OR 1	PU Joint	ØB	ØL	C	E	G	H	M	N
B90RG30808	3000 PSI	1/2" BSP	1/2"	TB8X30	.64X3.	JBR08	13	9	8,10	17,48	20	16	8x30	37
B90RG30806	3000 PSI	3/8" BSP	1/2"	TB8X30	.64X3.	JBR08	13	9	8,10	17,48	20	16	8x30	37
B90RG31212	3000 PSI	3/4" BSP	3/4"	TB10X35	.99X3.	JBR12	19	11	7,63	22,23	24	18	0x35	38
B90RG31616	3000 PSI	1" BSP	1"	TB10X35	.92X3.	JBR16	25	11	2,37	26,19	28	19	0x35	43
B90RG32020	3000 PSI	1"1/4 BSP	1"1/4	TB10X40	.70X3.	JBR20	32	1,5	8,72	30,18	34	21	0x40	51
B90RG32424	3000 PSI	1"1/2 BSP	1"1/2	TB12X45	.22X3.	JBR24	38	3,5	9,85	35,71	38	25	2x45	56
B90RG33232	3000 PSI	2" BSP	2"	TB12X45	.74X3.	JBR32	51	3,5	7,77	42,88	42	25	2x45	65
B90RG60808	6000 PSI	1/2" BSP	1/2"	TB8X30	.64X3.	JBR08	13	9	0,49	18,24	20	16	8x30	37
B90RG60806	6000 PSI	3/8" BSP	1/2"	TB8X30	.64X3.	JBR08	13	9	0,49	18,24	20	16	8x30	37
B90RG61212	6000 PSI	3/4" BSP	3/4"	TB10X40	.99X3.	JBR12	19	11	0,80	23,80	28	19	0x35	43
B90RG61616	6000 PSI	1" BSP	1"	TB12X45	.92X3.	JBR16	25	13	7,15	27,76	34	21	2x45	51
B90RG62020	6000 PSI	1"1/4 BSP	1"1/4	TB14X45	.70X3.	JBR20	32	5 *	6,68	31,75	38	25	4x45	56
B90RG62424	6000 PSI	1"1/2 BSP	1"1/2	TB16X50	.22X3.	JBR24	38	17	9,38	36,50	42	25	6x50	65

*** Review attached PDF***

The screws and joints are sold separately.