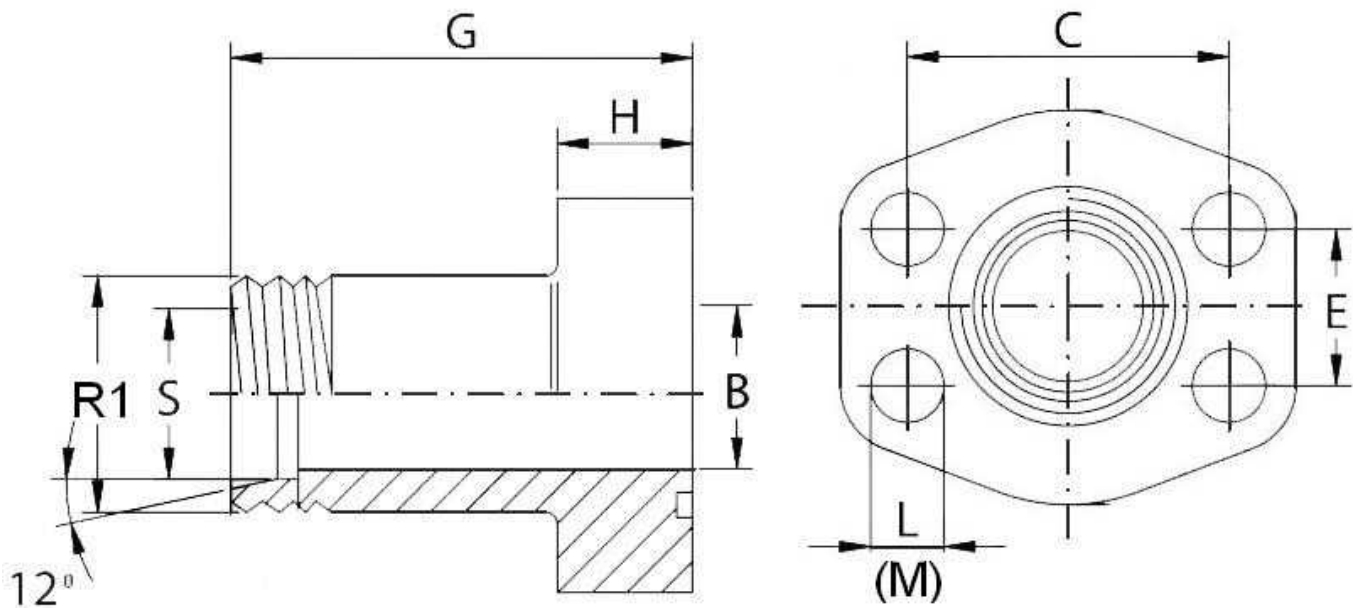


Metric Male threaded flange

Part n°	Serie	R1	Size	Screw	O'Ring	OR 1	PU Joint	ØB	ØL	C	E	G	H	M	S
BMRM30822	3000 PSI	M22x1,5	1/2"	TB8X30		18.64X3.53	JBR08	12	9	38,10	17,48	52	13	M8x30	15
BMRM31230	3000 PSI	M30x2	3/4"	TB10X35		24.99X3.53	JBR12	19	11,5	47,63	22,23	60	14	10x30	22
BMRM31636	3000 PSI	M36x2	1"	TB10X35		32.92X3.53	JBR16	24	11,5	52,37	26,19	63	16	10x35	28
BMRM32045	3000 PSI	M45x2	1"1/4	TB10X40		37.70X3.53	JBR20	29	11,5	58,72	30,18	65	14	10x35	35
BMRM32452	3000 PSI	M52x2	1"1/2	TB12X45		47.22X3.53	JBR24	36	13,5	69,85	35,71	70	16	12x35	42
BMRM60824	6000 PSI	M24x1.5	1/2"	TB8X30	4075	18.64X3.53	JBR08	12	9	40,49	18,24	60	16	M8x30	16
BMRM61236	6000 PSI	M36X2	3/4"	TB10X40		24.99X3.53	JBR12	19	11,5	50,80	23,80	73	19	10x40	25
BMRM61642	6000 PSI	M42x2	1"	TB12X45		32.92X3.53	JBR16	25	13	57,15	27,76	82	24	12x45	30
BMRM62052	6000 PSI	M52x2	1"1/4	TB14X45		37.70X3.53	JBR20	29	15*	66,68	31,75	92	27	14x45	38
BMRM62452	6000 PSI	M52x2	1"1/2	TB16X50		47.22X3.53	JBR24	32	17	79,38	36,50	96	30	16x50	38

*** Review attached PDF***

The screws and joints are sold separately.