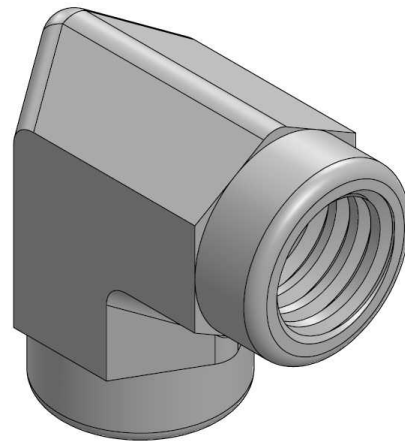
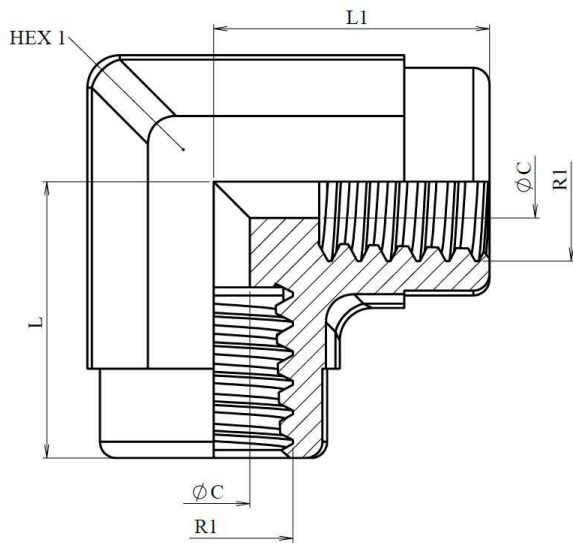


90° elbow fixed female NPT - fixed female NPT

Carbon steel

1/1



Part n°	R1	L	L1	HEX 1	ØC
N119602	1/8" NPT	17	17	14	6
N119604	1/4" NPT	22	22	19	8
N119606	3/8" NPT	26	26	22	12
N119608	1/2" NPT	31	31	27	17,5
N119612	3/4" NPT	35	35	32	16
N119616	1" NPT	41	41	41	25
N119620	1"1/4 NPT	43,2	43,2	48	25
N119624	1"1/2 NPT	52,8	52,8	65	25
N119632	2" NPT	60,7	60,7	70	25

The material can be provided with imperial hexagons