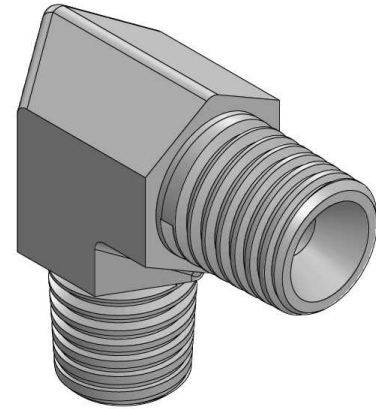
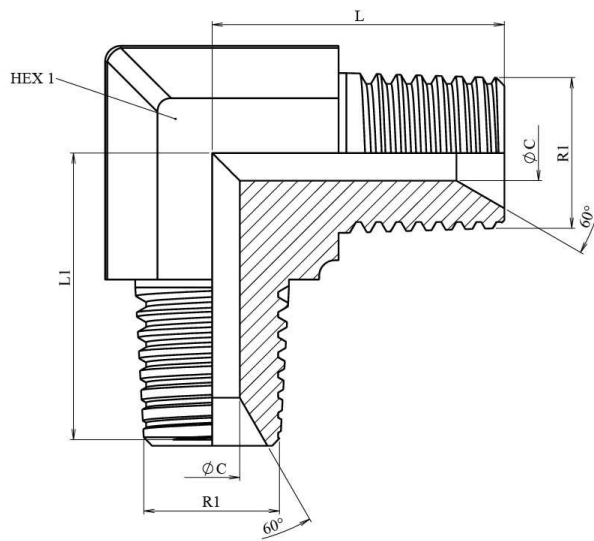


90° elbow male NPT - male NPT

Carbon steel



Part n°	R1	L	L1	HEX 1	ØC
N119002	1/8" NPT	18,5	18,5	12	3,5
N119004	1/4" NPT	27	27	14	6
N119006	3/8" NPT	31	31	19	8
N119008	1/2" NPT	37,5	37,5	22	11
N119012	3/4" NPT	40	40	27	16
N119016	1" NPT	50	50	36	22
N119020	1"1/4 NPT	56	56	46	28,5
N119024	1"1/2 NPT	67	67	50	33
N119032	2" NPT	76,2	76,2	40	49

The material can be provided with imperial hexagons